

Rotating LED GOBO Projector - 15W - Indoor - 20° Optics - IP20

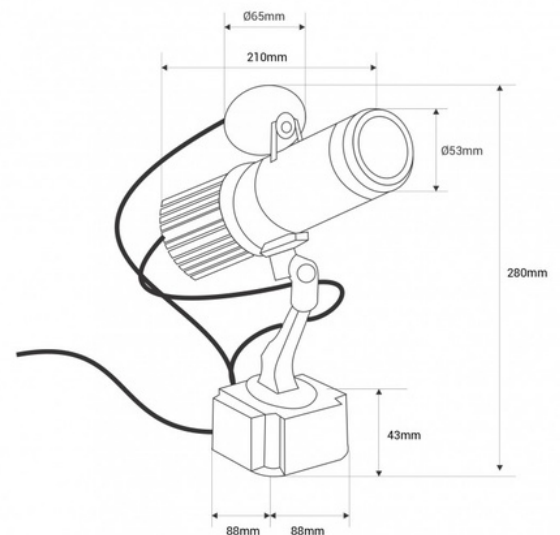
Ref. BLP10I-R

15W Rotating LED GOBO Projector for projecting logos, images, and insignias indoors. Logo projectors are also known as LED GOBO, GOBO projector, or GOBO LED. Projects still and rotating images in high definition. Indoor use (IP20). 20° Optics with manually adjustable focus. It includes a remote control (battery A23-12V not included) for power on, off, fixed or rotating projection. It reaches a range of 3-4 meters in darkness and 2-3 meters in daylight, with a brightness of 1300 lumens. Barcelona LED offers laser engraving service for logos on mirror glass. The purchase of the projector lamp includes the engraving of one initial logo up to 4 colors free of charge (estimated delivery time: 10-15 days).



Product data

Certs	CE, ROHS
Energy efficiency class	F
CRI	80-85
Dimmable	No
Driver	Internal
Frequency (Hz)	50 - 60
Frequency of Use	normal
Guarantee	According to legal warranty: 3 years
IP	IP20
Kelvin (K)	6000
Lumens (Lm)	1300
Material	Metal
Material diffuser	Crystal
Assembly	Surface
Orientable	Yes
Power (W)	15
Temperature range	-20°F ~ +40°F
Sensor	No
Nominal Voltage (V)	220 - 240 V AC
Type of LED	COB
Key	Cold white
UGR	No



Outdoor Use	No
Service life (h)	25,000

Product variants

Reference

Attributes

BLP10I-R

