

Tabletop 3D hologram fan - Ø 52cm - 72W

Ref. K_BH52-MESA

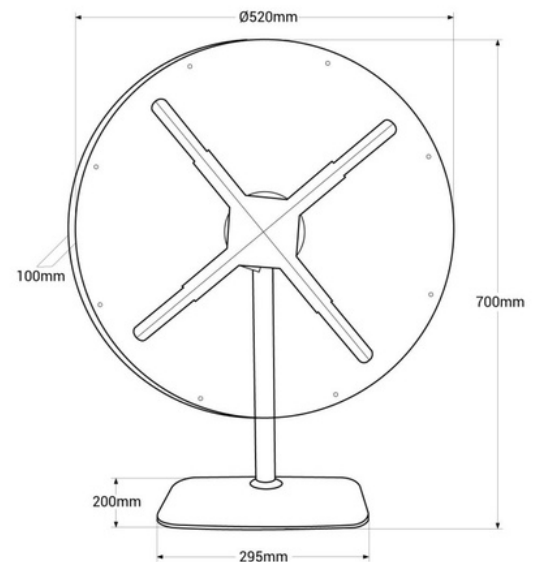
The 3D tabletop holographic fan is an innovative advertising display device that generates 3D images or holograms with great visual impact. Uses the most advanced LED technology to create the illusion of floating figures that allows for the display of brands, products, or messages in an attractive and impactful way. It is possible to display videos or images easily and intuitively from a smartphone or computer with the SpinDisplay application. Maximum resolution and brightness, with a total of 624 LEDs and a viewing angle of 170°. It incorporates a transparent protective cover made of acrylic and a remote control. ** Includes stable support for tabletop placement **

APP SCAN DISPLAY



Product data

Storage	8GB
Certs	CE, ROHS
Connectivity	Wifi, Bluetooth
Guarantee	According to legal warranty: 3 years
Images	GIF, JPG, JPEG, PNG
Brightness	2200 cd/m ² , 2200cd/m2
Material	Metal, ABS, Methacrylate, Metacrilato
Power (W)	72
LED Technology	3D
Nominal Voltage (V)	100 - 240V AC
Video	MP4, AVI



Product variants

Reference

Attributes

K_BH52-MESA

